

Product: Isolator

Part Number: LGL-3/6-IN-60W

Specification				
No.	Parameter	25°C	-20~+60°C	Units
1	Frequency range	3-6	3-6	GHz
2	Insertion Loss	≤0.5	≤0.8	dB
3	Isolation	≥18	≥16	dB
4	VSWR	≤1.30	≤1.4	dB
5	Impedance	50		Ω
6	Forward Power	60W/cw 60W/rv		
7	Operating Temperature Range	-20~+60°C		
8	Connector	Drip in		
9	Direction	1→2→ clockwise		
10	Preferred finish	silver plated		

Mechanical Specifications	
Housing	45 Steel or easily cut iron alloy
Connector	Strip line
Contact:	copper
Rohs	compliant
Weight	0.1kg

### Outline Drawing:

All Dimensions in mm

Tolerances : Unnoted tolerances are in class m of GB-T1804-2000

All Connectors: drip in

成都利德尔科技有限公司 ChengDu Leader Microwave Technology Co.,Ltd

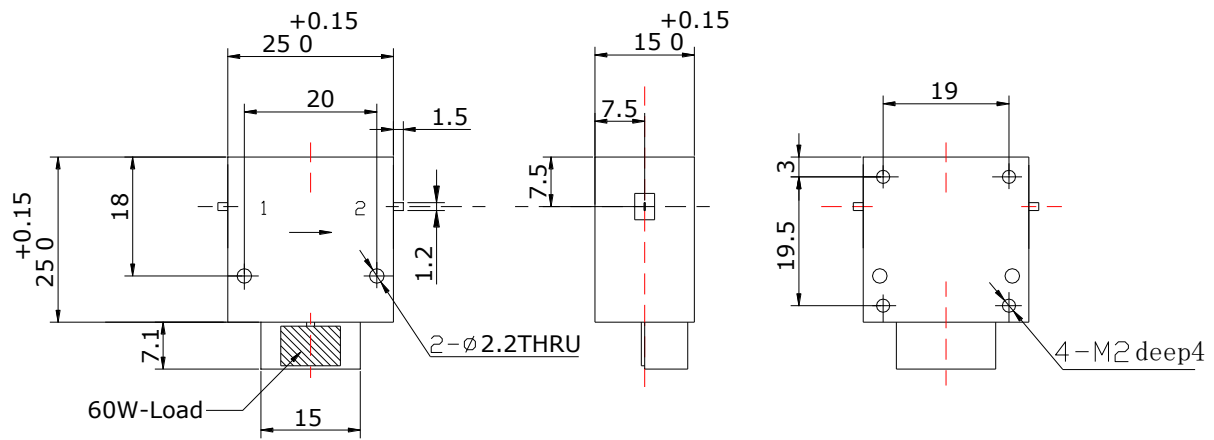
电话: 028-65199117 传真: 028-65199116

http://www.leadermicrowave.com sales@leader-mw.com

TEL: +86-28-65199117 FAX: +86-28-65199116

Add: 中国 成都市成华区华翰路 89 号 610000

No.89,Huahan Road, chenghua Zone Chengdu, Sichuan China Zip Code:610000



成都利德尔科技有限公司 ChengDu Leader Microwave Technology Co.,Ltd

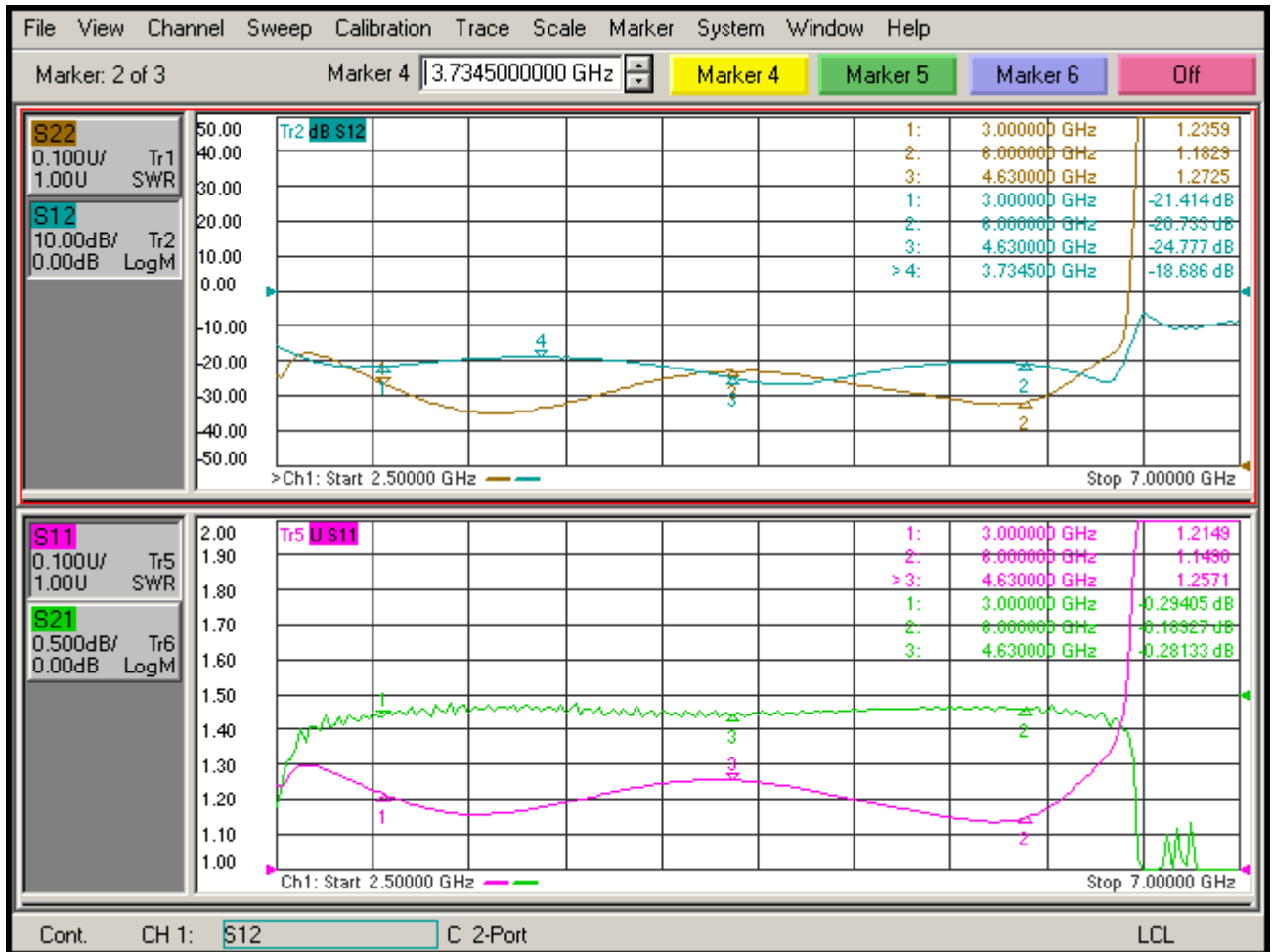
电话: 028-65199117 传真: 028-65199116

<http://www.leadermicrowave.com> [sales@leader-mw.com](mailto:sales@leader-mw.com)

TEL: +86-28-65199117 FAX: +86-28-65199116

Add: 中国 成都市成华区华翰路 89 号 610000

No.89,Huahan Road, chenghua Zone Chengdu, Sichuan China Zip Code:610000



成都利德尔科技有限公司 ChengDu Leader Microwave Technology Co.,Ltd

电话: 028-65199117    传真: 028-65199116

<http://www.leadermicrowave.com>    [sales@leader-mw.com](mailto:sales@leader-mw.com)

TEL: +86-28-65199117    FAX: +86-28-65199116

Add: 中国 成都市成华区华翰路 89 号 610000

No.89,Huahan Road, chenghua Zone Chengdu, Sichuan China    Zip Code:610000